

Type SAMPLING

specific & defined sample



for liquid media

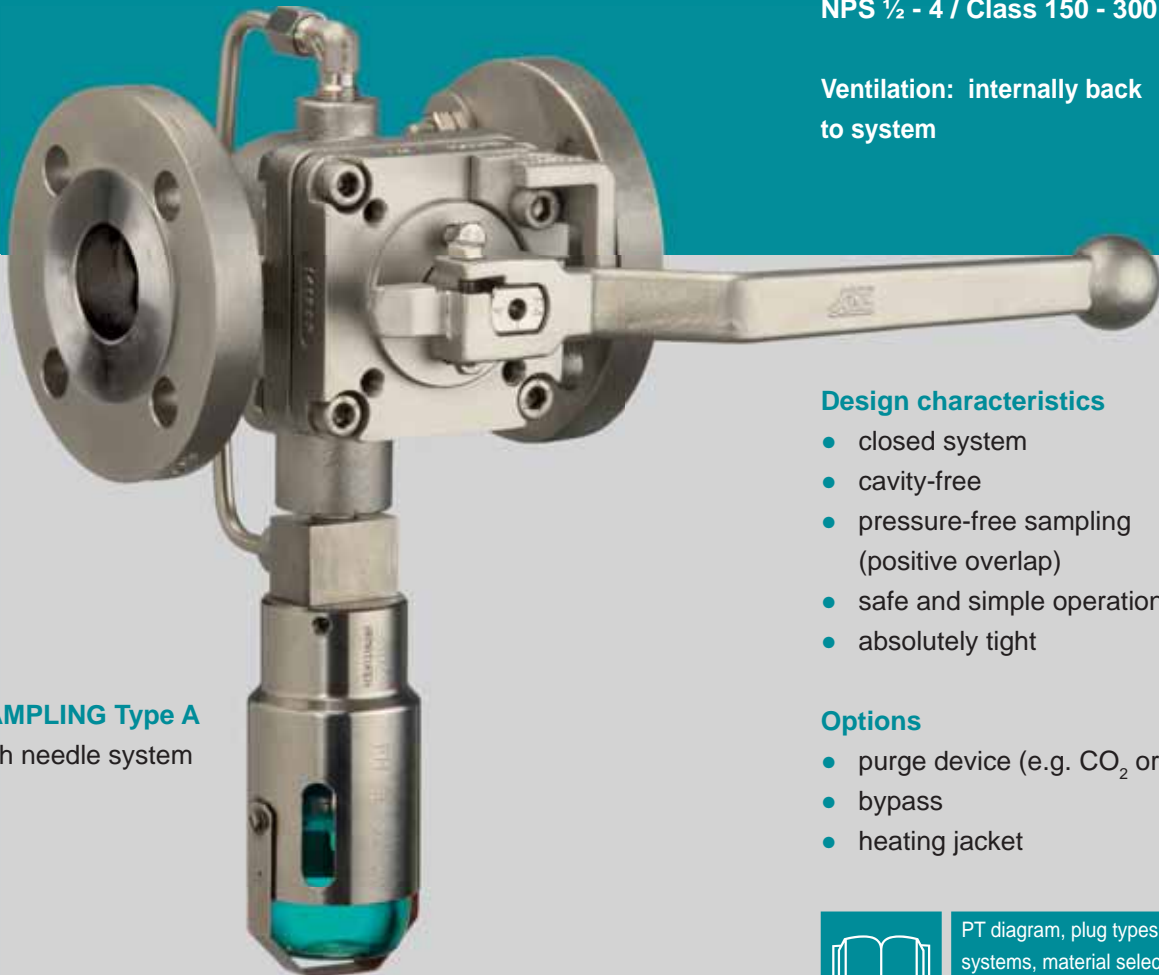
Sampling volume / operation:

$V_{P\ min}$ 25 ml / $V_{P\ max}$ 405 ml

- spilling eliminated and contamination free

DN 15 - 100 / PN 10 - 40
NPS ½ - 4 / Class 150 - 300

Ventilation: internally back to system



SAMPLING Type A
with needle system

Design characteristics

- closed system
- cavity-free
- pressure-free sampling (positive overlap)
- safe and simple operation
- absolutely tight

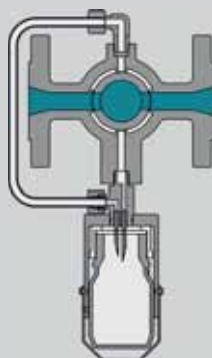
Options

- purge device (e.g. CO₂ or N₂)
- bypass
- heating jacket

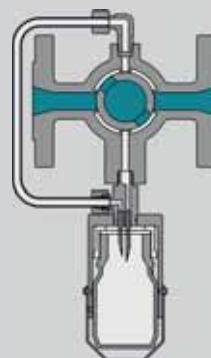


PT diagram, plug types, sealing systems, material selection: see catalogue part ENGINEERING

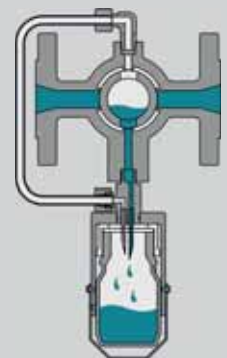
Functionality



circulation /
filling the plug



pressure-free
sampling
(positive overlap)



sample drawing
(ventilation: internally back to system)

Type overview / Supplementary equipment with needle system / septum or PTFE adapter



HORIZONTAL

SAMPLING Type A

with needle system and septum
for lab bottle

Actuation: hand lever, front



HORIZONTAL

Sampling Type B

with PTFE adapter for lab bottle
alternative clamping bottle hold-
er with bayonet fixing

Actuation: hand lever, front



Bypass

Type A and type B alternative
with bypass (no product flow
interruption)



VERTICAL

SAMPLING Type AV

with needle system and septum
for lab bottle

Actuation: hand lever



VERTICAL

SAMPLING Type BV

with PTFE adapter for lab bottle
alternative clamping bottle hold-
er with bayonet fixing

Actuation: hand lever



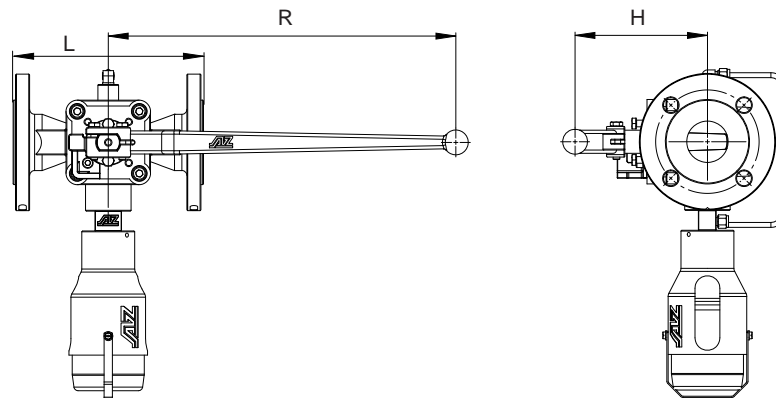
Purge device

Type A and type B alternative
with manual system purge

Actuation: hand lever

Type SAMPLING

Technical information



	DN	PN	L [mm]	R [mm]	H [mm]	plug sample volume V_p [ml]		process- / ventilation needle \varnothing [mm]	
						type A	type B	type A	type B
DIN EN 558	15	10-40	130	200	104	20 / 30 / 50	20 / 30 / 50	2 / 2	6 / 6
	25	10-40	160	200	104	30 / 50	30 / 50	2 / 2	6 / 6
	40	10-40	200	320	124	30 / 50	30 / 50	2 / 2	6 / 6
	50	10-40	230	420	159	30 / 50	30 / 50	2 / 2	6 / 6
	80	10-40	310	600	165	145	145	2 / 2	6 / 6
	100	10-40	350	600	165	405	405	2 / 2	6 / 6
ASME B16.10	NPS	Class	L [mm]	R [mm]	H [mm]	plug sample volume V_p [ml]		process- / ventilation needle \varnothing [mm]	
	1/2"	150	108	200	104	20 / 30 / 50	20 / 30 / 50	2 / 2	6 / 6
		300	140	200	104	30 / 50	30 / 50	2 / 2	6 / 6
	1"	150	127	200	104	30 / 50	30 / 50	2 / 2	6 / 6
		300	165	320	124	30 / 50	30 / 50	2 / 2	6 / 6
	1 1/2"	150	165	320	124	30 / 50	30 / 50	2 / 2	6 / 6
		300	190	420	159	30 / 50	30 / 50	2 / 2	6 / 6
	2"	150	178	420	159	30 / 50	30 / 50	2 / 2	6 / 6
		300	216	600	165	145	145	2 / 2	6 / 6
	3"	150	203	600	165	145	145	2 / 2	6 / 6
300		282	600	165	405	405	2 / 2	6 / 6	
4"	150	229	600	165	405	405	2 / 2	6 / 6	
	300	305							

Other nominal sizes and pressures > PN 40 / class 300 on request.

Some designs, sizes and/or configurations may be fitted with threaded flange holes.